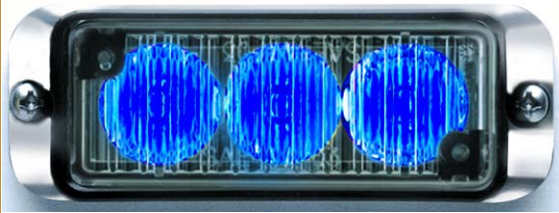


# TIR3 & LIN3 SERIES



**TIR3**

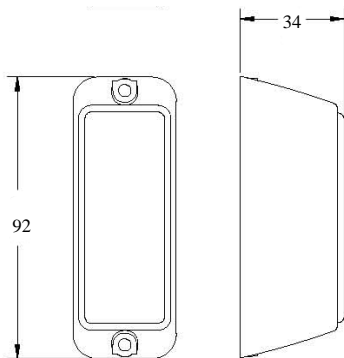


**LIN3**

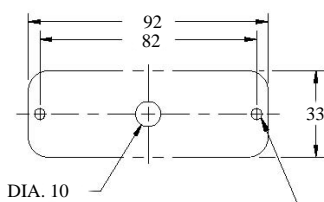
TIR3 & LIN3™ Super-LED® Lighthoods

*The original compact LED lamp, the TIR3 & LIN3 3-LED surface mount light heads with colour Super-Led's and clear outer lens offer bright, versatile warning light solutions.*

**OVERALL DIMENSIONS mm**



**MOUNTING DETAIL mm**



**FEATURES:**

- Compact, full-featured LED light heads which can be mounted virtually anywhere.
- The TIR3 controls light spread with a clear fluted lens and is for directional lighting applications.
- The LIN3 has a clear non-fluted lens with collimator for wider 180 degree light spread for greater visibility and light dispersion. Ideal for 'fend off' applications.
- Black ABS flange standard, optional chrome flange available.
- SmartLED® design requires no external flasher.
- Minimal current draw and designed for heavy-duty, vibration, moisture and corrosion resistance. Encapsulated electronics provide full moisture protection.
- Surface mounted with no external flasher, easy to install.
- Five Scan-Lock™ flash patterns, are available each with Phase 1 or Phase 2 (simultaneous or alternating flashing), and includes a steady-burn mode and synchronize wire. The Sync feature allows multiple light heads to operate in unison, as a system.
- TIR3 is available in vertical and

**MODELS:**

- RS\*03ZCR:** TIR3 horizontal mount
- RV\*03ZCR:** TIR3 vertical mount
- RS\*02ZCR:** LIN3 horizontal mount

*\*Replace asterisk in model number with desired colour. R=Red, A=Amber, G=Green, B=Blue, and C=White*

**OPTIONS:**

- RBKT4:** Aluminium swivel mounting bracket.
- ZM5544:** Rubber Grommet Mount.



**RBKT4**



**ZM5544**

<b>10-16 VDC</b>	<b>e11</b> ✓	<b>SmartLED</b>
scan lock	sync	<b>5 YEAR WARRANTY</b>



*Available in Red, Amber Blue, White and Green*



The licensed manufacturer for  
European Certified  
**WHELEN**  
products



**WOODWAY®**  
Woodway Engineering Limited

Woodway Engineering Ltd., Lower Road, Barnacle, Coventry, CV7 9LD

Phone: 02476 841750

Fax: 02476 621796

e-mail: woodway@btconnect.com

www.woodwayengineering.co.uk