

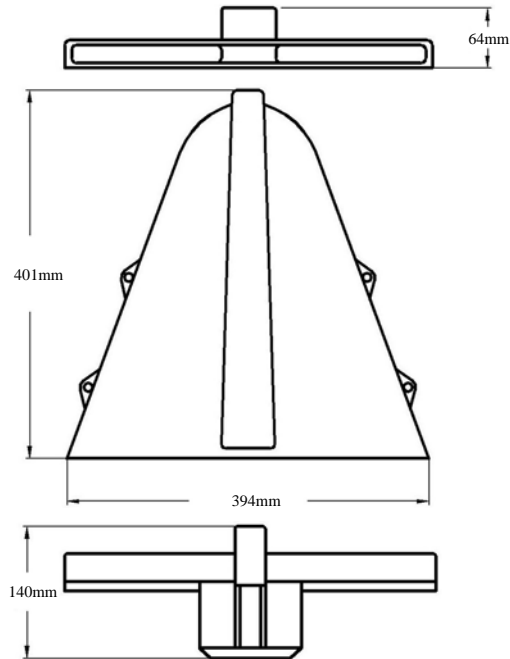
SIREN SPEAKERS

Siren Systems

LIGHTBAR SIREN SPEAKERS

SA40 Lightbar mounted speaker, for use on the EDGE 9M & ULTRA strobe or the FREEDOM LED Series lightbars. Weight 5.5kg

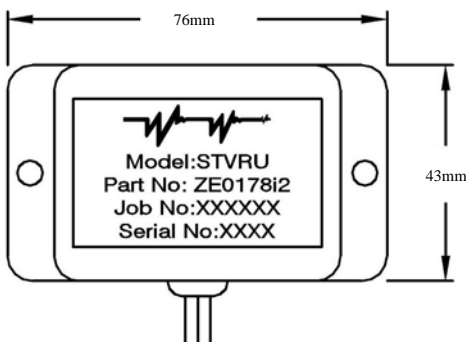
Part Number: SA40



SIREN ACCESSORIES

Designed for use in confined situations e.g. Workshops when testing sirens. When fitted to a Woodway siren system the unit reduces the volume of the siren.

Part Number: STVRU



- Ideal for siren testing in workshops
- Reduces the volume considerably.
- Dual voltage, 12 or 24VDC

12/24 VDC	e11 ✓	2 YEAR WARRANTY
----------------------------	-----------------	--



The licensed manufacturer for
European Certified
WHELEN
products



WOODWAY®
Woodway Engineering Limited

Woodway Engineering Ltd., Lower Road, Barnacle, Coventry, CV7 9LD

Phone: 02476 841750

Fax: 02476 621796

e-mail: woodway@btconnect.com

www.woodwayengineering.co.uk