

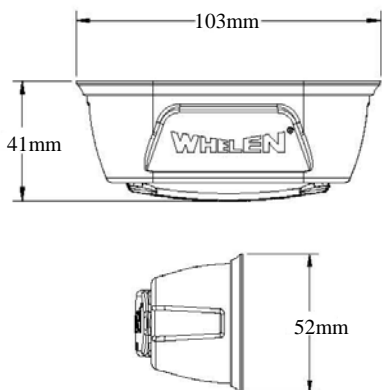
LINZ6 SERIES

LED Remote Light Heads



LINZ6™ Super-LED® Lighthead

A compact rugged little powerhouse that shrugs off moisture and road shock while giving you maximum performance... anywhere on your vehicle!



FEATURES:

- A sub-compact, full-featured LED light head with wide-angle light spread which can be mounted virtually anywhere.
- Clear non-fluted lens and black ABS flange standard, optional chrome flange available.
- WHELEN patented Linear-LED® wide-angle optics for maximum visibility.
- Minimal current draw and designed for heavy-duty, vibration, moisture and corrosion resistance.
- SmartLED® design requires no external flasher.
- Split colours available.
- Surface mounted with no external flasher, easy to install.
- 69 Scan-Lock™ flash patterns, including steady-burn. Alternating and simultaneous patterns available.
- Eight Scan-Lock flash patterns allows for alternate or simultaneous flash of each colour segment (3 x 3).
- The "synch" interconnect wire allows up to eight LIGHTHEADS to be synchronized together.
- Fully encapsulated electronics provide full moisture and vibration protection.

ZM5544...Optional Rubber Grommet Mount Adaptor. Provides flush fitting appearance & simple installation.

MODELS:

- LINZ6***...Solid colour; red, blue, amber or white
 - LINZ6D**...Split red/white
 - LINZ6J**...Split red/blue
 - LINZ6K**...Split red/amber
- OPTIONS**
LINZ6FC...Deep, chrome plated mounting flange kit
- *Replace asterisk in model number with desired colour. A=Amber, B=Blue, R=Red and C=White

10-16 VDC	e11 ✓
scan lock	sync
SmartLED	5 YEAR WARRANTY
	Available in Red, Amber Blue & White



WOODWAY®
Woodway Engineering Limited

WOODWAY
The licensed manufacturer for
European Certified
WHELEN®
products