

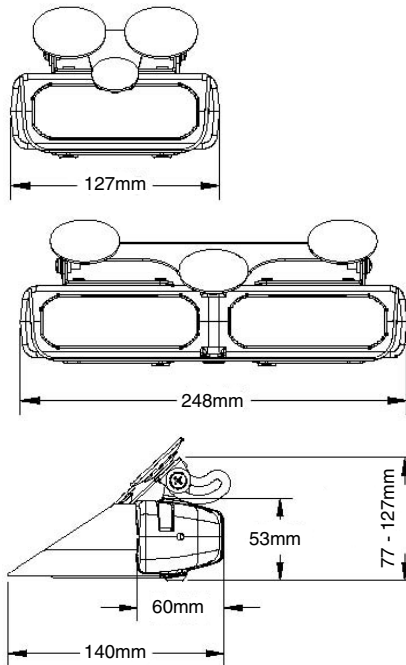
AVENGER SERIES

Dash Mount Lights



NEW design with a more sleek look than its predecessor, the Avenger is still a compact little light with a big attitude! Avenger packs full-size Super-LED power that rivals strobe in intensity. This is serious warning protection in a small package that's easy to mount or transfer from vehicle to vehicle.

AVN Models can turn On/Off and select flash patterns from cigar plug.



FEATURES:

- Small size and clear outer lenses make Avenger barely detectable until powered on.
- Single, dual or split module, Linear Super-LEDs.
- Standard swivel/bail bracket with three suction cups.
- Snap-on polycarbonate hood secures with two screws, minimizing flashback to the driver.
- Lightweight and sturdy. Rated for 100,000 hours of operation.
- Polycarbonate assembly is safer than metal in the event of an accident or airbag deployment.

AVN Models

- Multiple Scan-Lock™ flash patterns. 27 patterns on single unit and 34 patterns on dual.
- Split LED models available.
- 3m straight cord with cigar plug with switches for On/Off function and Scan-Lock™ flash pattern control.

AVNS Synchronized Models

- Synchronized models for unified warning lighting on your vehicle.
- Multiple Scan-Lock flash patterns. 54 patterns on single unit and 69 patterns on dual.
- Phase 1 and Phase 2 for alternate and simultaneous flashing.
- Standard 4-wire pigtails.

OPTIONS:

- AVNBKT1** Low profile mounting (headliner) bracket for AVN1 Series
- AVNBKT2** Low profile mounting (headliner) bracket for AVN2 Series.
- AVNBKT3** Visor mounting bracket, each (2 required for dual unit).
- AVNBKT4** Adjustable height bracket kit, for all Avengers.

MODELS:

AVN Cigar Plug Models:

- AVN1*** Solid colour, single module.
- AVN1#** Dual colour, single module.
- AVN2**** Solid colour, Dual module.

AVNS Synchronized Models with Pigtail Wire:

- AVNS1*** Solid colour, single module.
- AVNS2**** Solid colour, dual module.

**Replace asterisk in model number with desired colour. A=Amber, B=Blue, C=White, R=Red*

*# Replace symbol with split colour desired
E=Blue/White, J=Red/Blue, K=Red/Amber*

10-16 VDC	e11 ✓	SmartLED
scan lock	sync	5 YEAR WARRANTY

Available in Red, Amber, Blue and White



WOODWAY®
Woodway Engineering Limited

WOODWAY
The licensed manufacturer for
European Certified
WHELEN®
products